

DIGITAL INDICATORS WITH RELAY OUTPUTS TYPE PMT-920



- ✓ Input Pt100 2-, 3-, 4-, wires
- ✓ 2 relays outputs: 1A, 230 V AC
- ✓ Power supply: 230 V AC \pm 10%/1.5VA

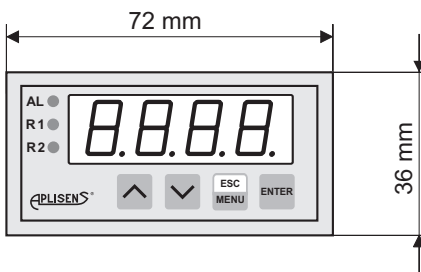
Functions and use

The programmable two relays indicator PMT-920 is designed for temperature measurement. It communicates with resistor-type Pt100 sensors where connection can be made with 2, 3 or 4-wires line. The indicator automatically recognizes a 3 or 4-wire system and compensates resistance of the sensor line. Additionally, two threshold limits can be programmed within the converter to control relay-type outputs.

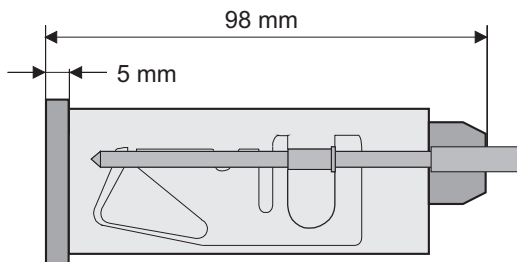
Exceeding the threshold actuates the outputs and is indicated on the front panel of the device. The relay-type outputs have 1 pair of NO contacts.

The PMT-920 display enables programming the following parameters:

- Tripping levels and hysteresis for the output relays.
- Status of tripped contacts.
- Password to disable unauthorized access to the software menu.
- Filtration degree of indications.



Front panel with 4x13mm LED display



Dimensions of panel cut-out 66x32

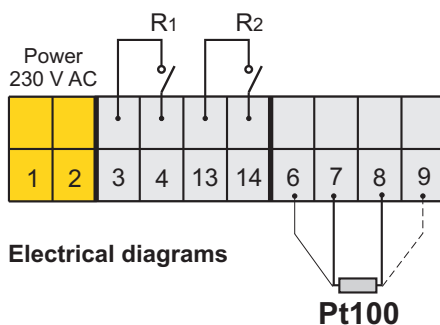
Technical data

Input	Pt100
Measuring range:	-50°C ÷ 550°C
Accuracy:	$\pm 0.25\% \pm 1$ digit
Display error:	$\pm 0.1\%$
Relay outputs:	2x 1A/230 V AC
Power supply:	230V AC $\pm 10\%$, 1,5VA
Operating temperature range:	5 ÷ 50°C
Storage temperature:	-10 ÷ 70°C
Casing: protection class	IP 40 (from the front) IP 20 (from the terminals)

Ordering procedure

Standard version: **PMT-920**

Economic version: **PMT-920/E**
without relay outputs



Electrical diagrams