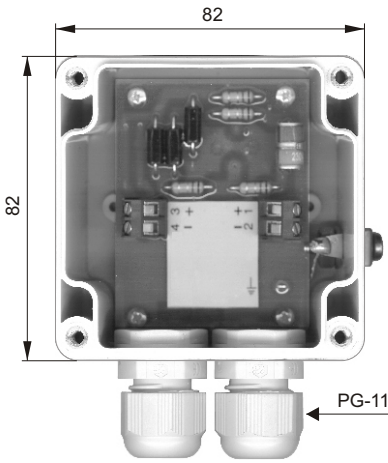
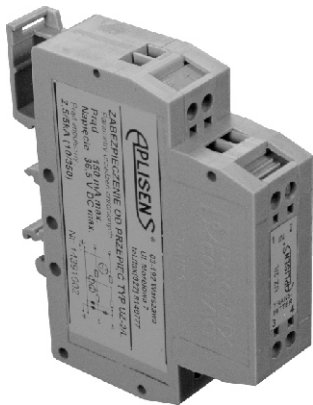


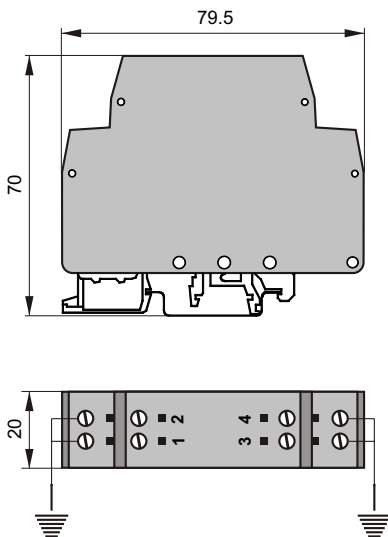
# Overvoltage protection circuit UZ-2



**Wall-mounted version**



**Rail mounted version**



## Application

The UZ-2 protection circuit is designed to provide overvoltage protection for measurement transmitters and auxiliary devices. The most common types of overvoltage which cause danger to measuring apparatus are:

- ◆ voltage and current pulses in the signal line, caused for example by a break in the induction circuit, the effect of high frequency circuits or high-power energy supply devices;
- ◆ overvoltages caused by atmospheric discharge.

Note that the UZ-2 may not be used as a basic lightning protector, but only as additional protection for a measuring device.

The UZ-2 is a type of barrier consisting of diode transiles, resistors and gas arresters.

The barrier provides protection by limiting the size of the voltage which can be applied to the protected device to the voltage of the diode transiles, i.e. approximately 43 V in the case of static overload. Both leads of the signal line are protected independently of each other.

## Installation

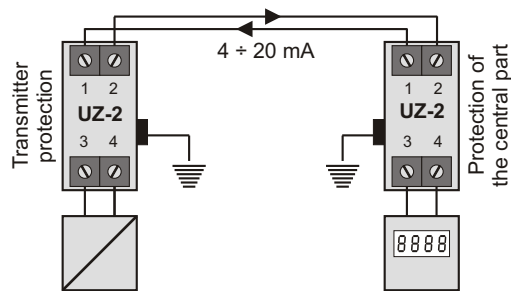
The device is produced in two versions: a wall-mounted version (N) and rail mounted version (L). It is best to install the device close to the protected apparatus. Electrical connections should be made as shown in the diagram, taking care to ensure proper earthing.

## Operating parameters

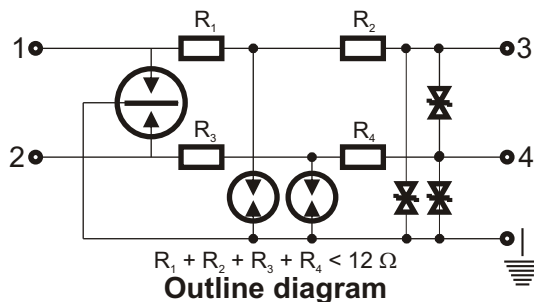
<b>Maximum working current</b>	150 mA
<b>Maximum working voltage</b>	36.5 V DC
<b>IP 65</b>	

## Ordering procedure

Wall-mounted version	<b>UZ-2/N</b>
Rail mounted version	<b>UZ-2/L</b>



**Electrical diagram**



**Outline diagram**